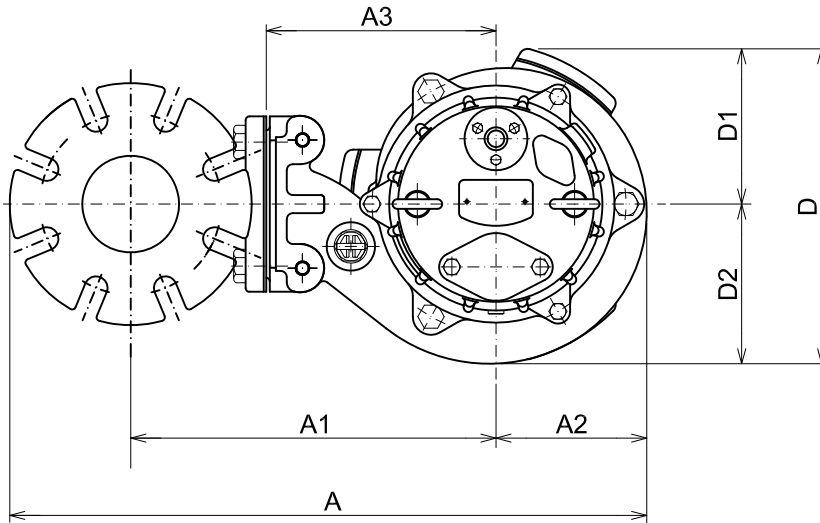




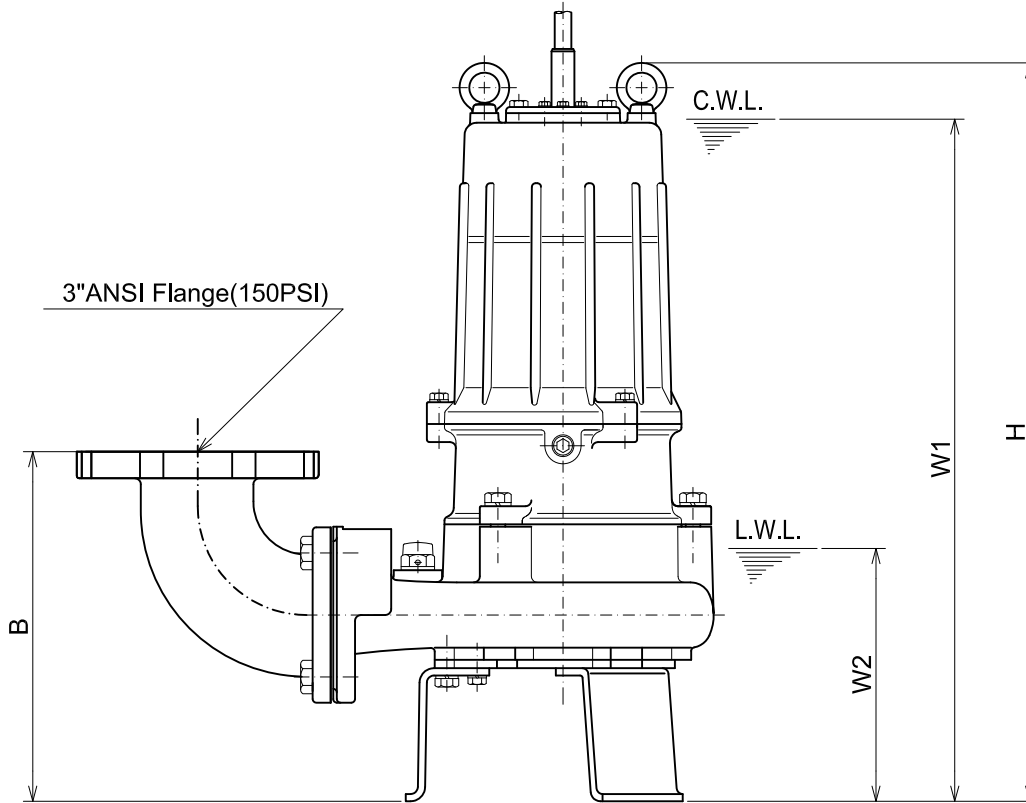
**C-SERIES
CUTTER - TYPE - SEWAGE & WASTEWATER PUMPS**

DIMENSIONS

Bend model:
BEND80-80 ANSI



**80C22.2-CR -61
80C23.7-CR -61**



3"ANSI Flange(150PSI)

C.W.L. :Continuous running Water Level
L.W.L. :Lowest running Water Level

DIMENSIONS:USCS(Inch)

Model	HP	NOM. SIZE	Pump & Motor									C.W.L. W1	L.W.L. W2	*Wt. (lbs.)
			A	A1	A2	A3	B	D	D1	D2	H			
80C22.2-CR -61	3	3"	21 1/8	12 5/16	4 15/16	7 1/2	11 3/8	10 1/4	5 1/16	5 3/16	24 1/16	22 1/4	8 1/4	150
80C23.7-CR -61	5	3"	21 1/8	12 5/16	4 15/16	7 1/2	11 3/8	10 1/4	5 1/16	5 3/16	24 1/16	22 1/4	8 1/4	150

DIMENSIONS:METRIC(mm)

Model	kW	NOM. SIZE	Pump & Motor									C.W.L. W1	L.W.L. W2	*Wt. (kg)
			A	A1	A2	A3	B	D	D1	D2	H			
80C22.2-CR -61	2.2	80	537	312	125	190	289	260	128	132	611	565	210	68
80C23.7-CR -61	3.7	80	537	312	125	190	289	260	128	132	611	565	210	68

*Excluding Cable.